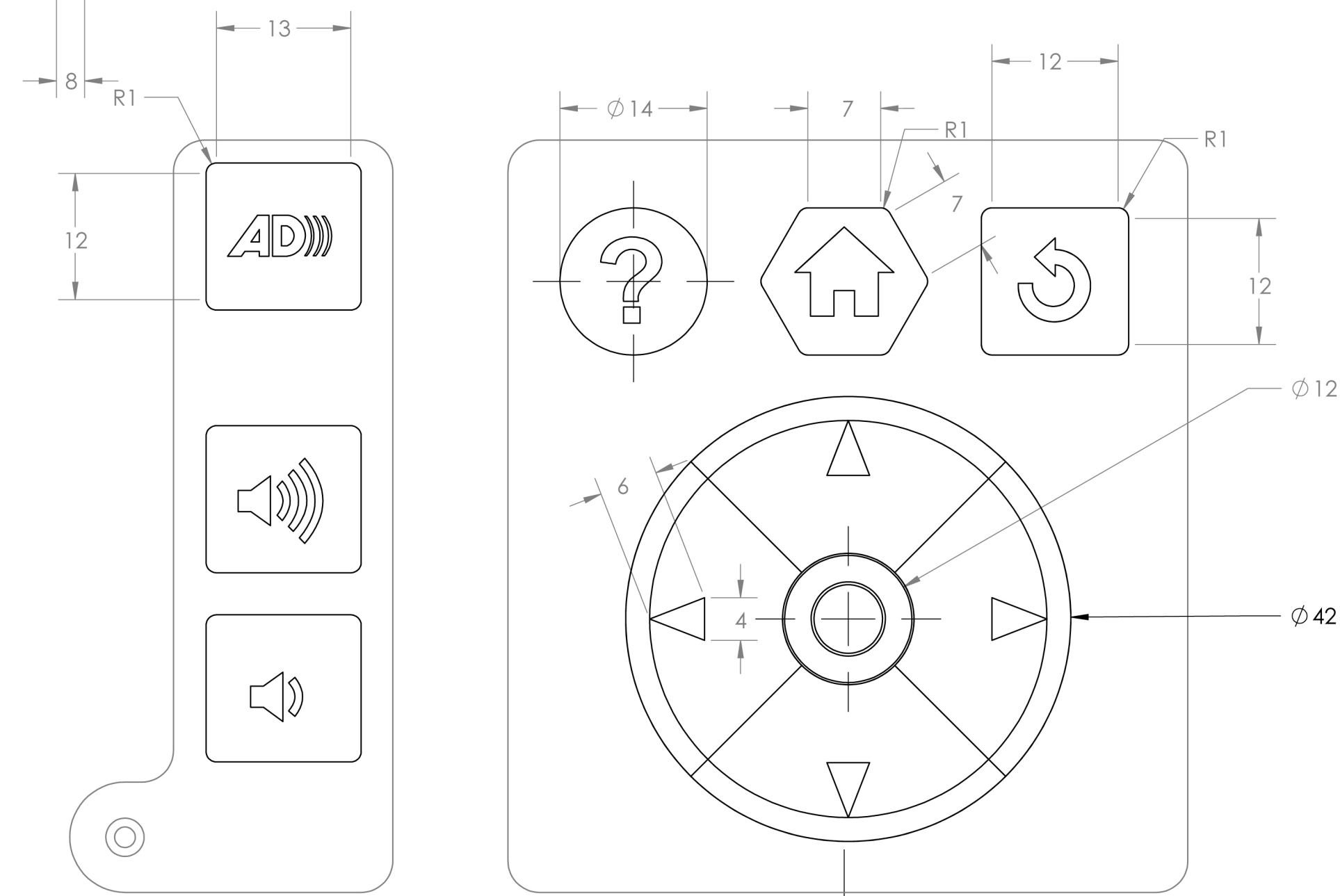
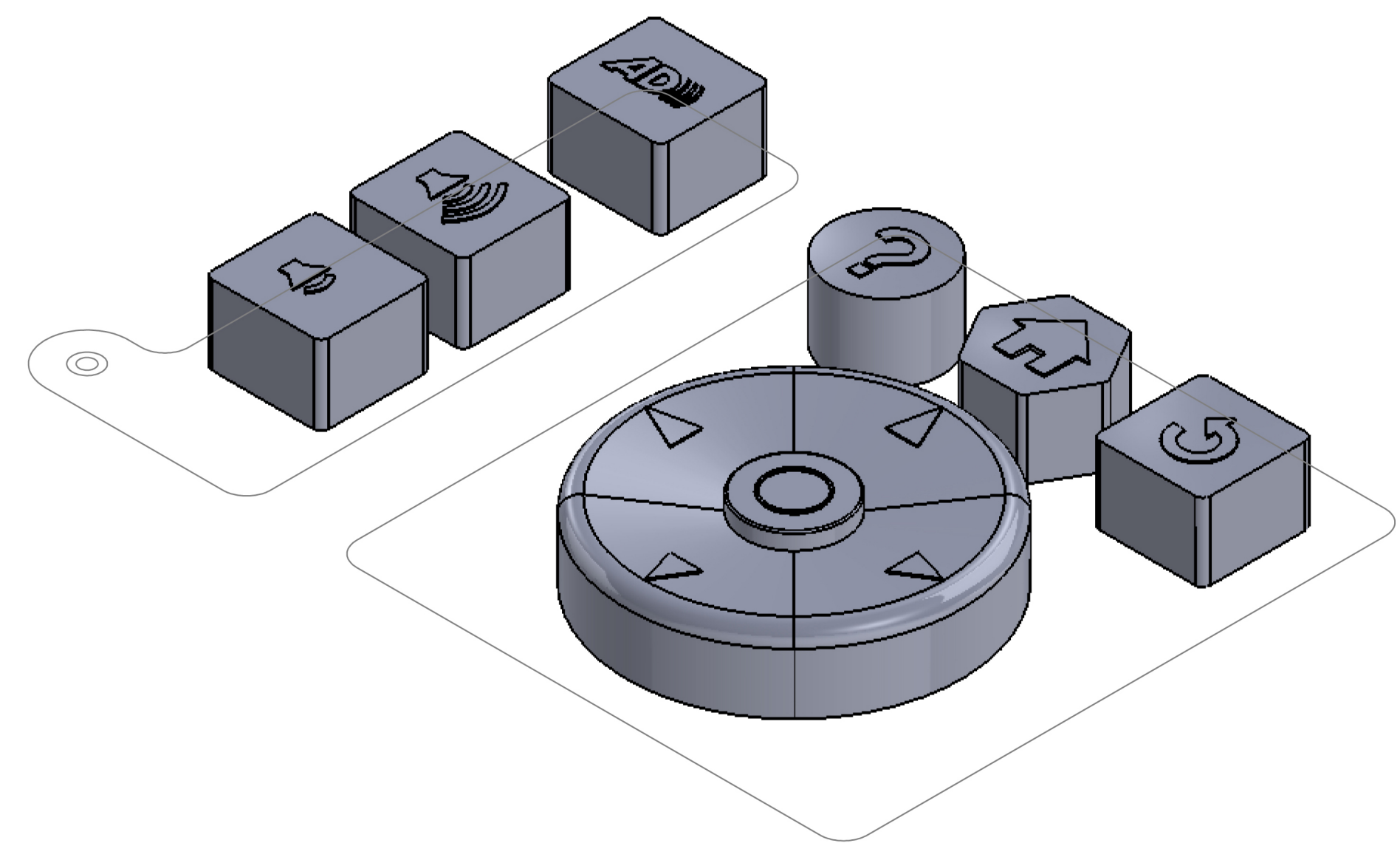
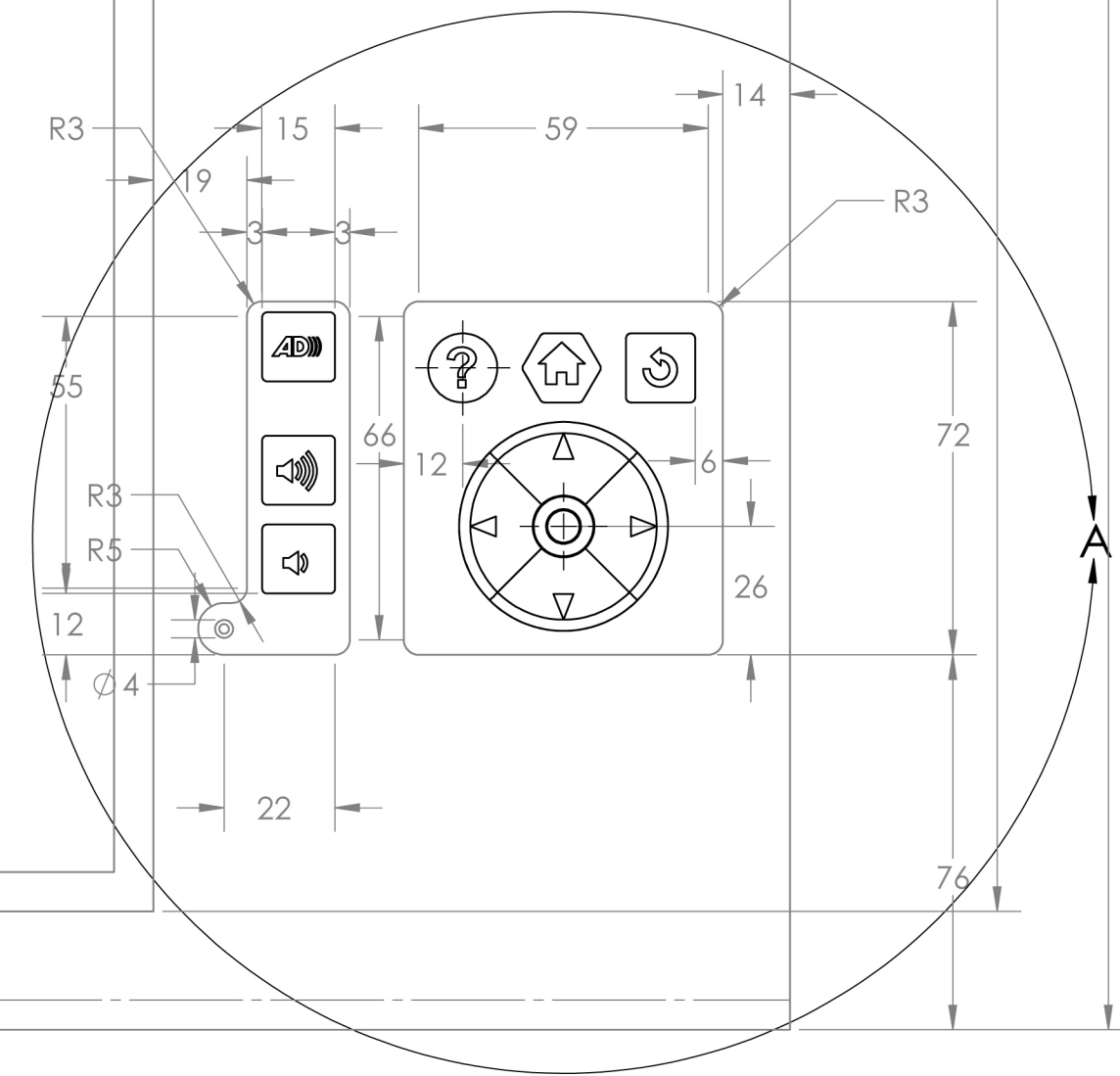
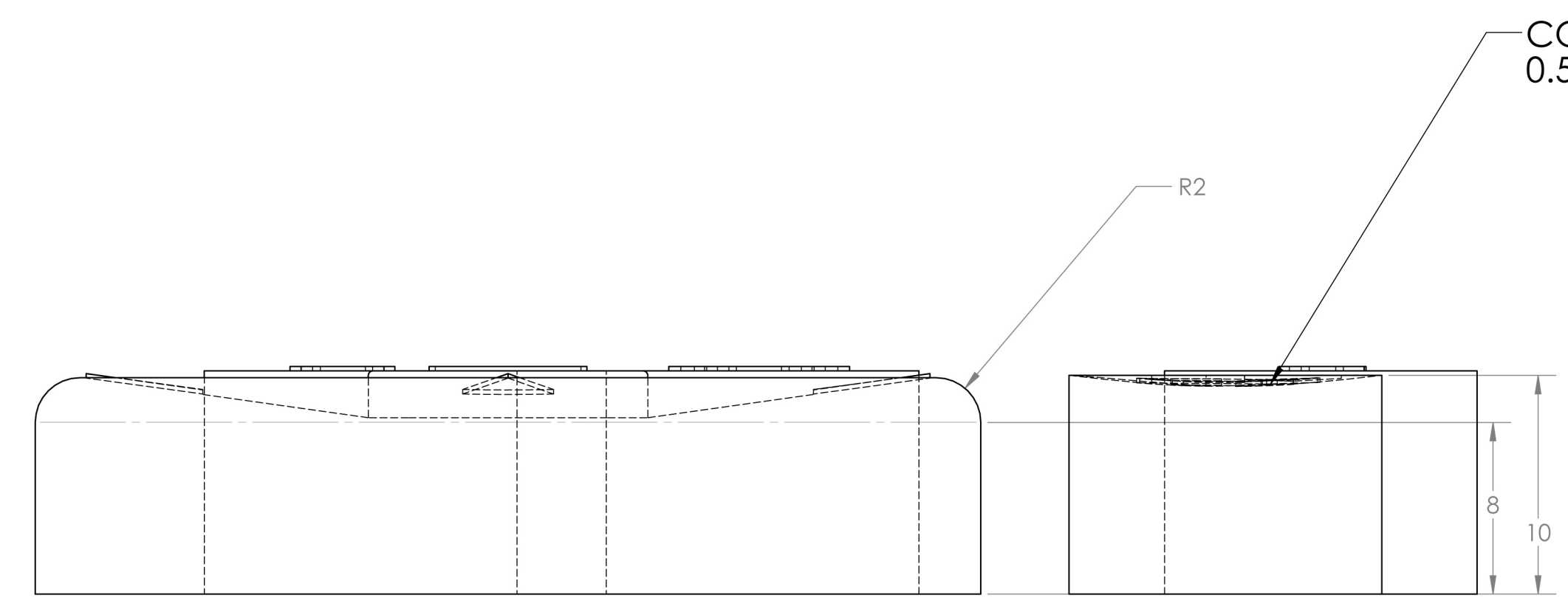


SCALE 2:3



DETAIL A
SCALE 2:1



SCALE 4:1



UNLESS OTHERWISE SPECIFIED:		NAME	DATE	Inclusive Design Research Center (IDRC)	
DIMENSIONS ARE IN Millimeters		DRAWN		TITLE:	
TOLERANCES:		CHECKED		Inclusive Keypad	
FRACTIONAL: ±		ENG APPR:		SIZE DWG. NO.	
ANGULAR: MACH ±		MFG APPR:		D Keypad-Concept B	
BEND ±		Q.A.		SCALE: 2:1 WEIGHT:	
TWO PLACE DECIMAL ±		COMMENTS:		SHEET 1 OF 1	
THREE PLACE DECIMAL ±				REV	
INTERPRET GEOMETRIC TOLERANCING PER:					
MATERIAL					
NEXT ASSY	USED ON	FINISH			
APPLICATION					